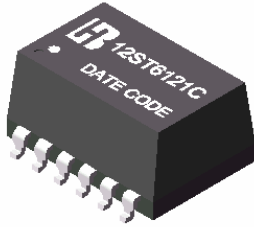


10/100 BASE-T SINGLE PORT SURFACE MOUNT MAGNETICS

P/N:12ST6121C DATA SHEET

Feature



- Meets IEEE 802.3 and ANSI X3.263 standards.
- Designed for reflow soldering at temperature  $235 \pm 5\%$ .
- The transformer meets the specification for
- Operating Temperature range:  $0^{\circ}\text{C}$  to  $+70^{\circ}\text{C}$ .
- Storage temperature range:  $-25^{\circ}\text{C}$  to  $+125^{\circ}\text{C}$ .

Electrical Specifications @ 25°C

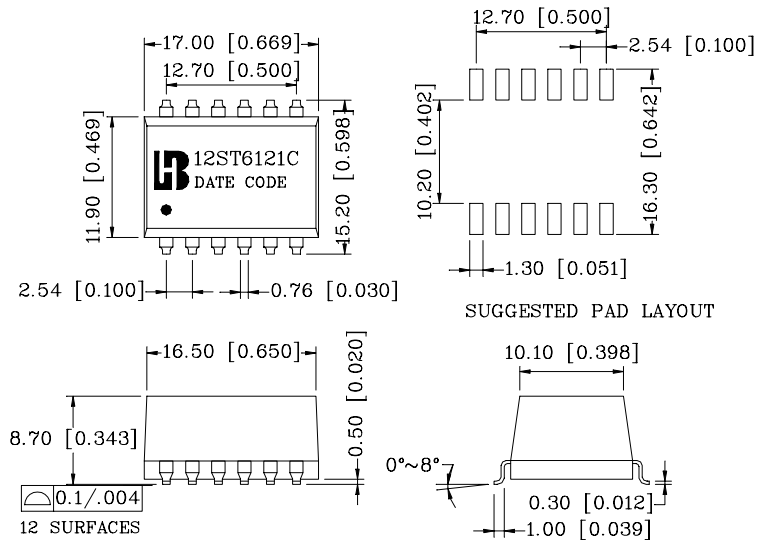
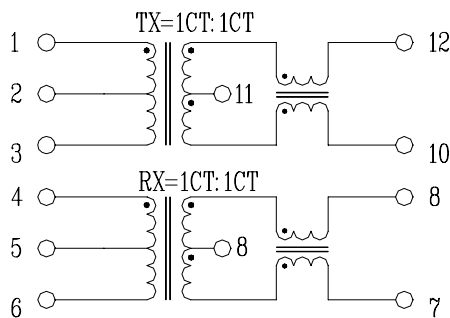
Part Number	Turns Ratio TX/RX(±5%)	OCL (uH Min) @ 100KHz/0.1Vrms with 8mA/DC Bias	HI-POT (Vrms)@2S
12ST6121C	1CT:1CT	350	1500

Continue

Part Number	Insertion Loss (dB Max) TX/RX	Return Loss (dB Min)TX/RX			Cross talk (dB Min)TX TO RX		
		30MHz	60MHz	80MHz	30MHz	60MHz	100MHz
12ST6121C	-1.3	-17	-11	-9	-42	-37	-32

Schematic

Mechanical



Units: mm [Inches] Tolerances: xx.x0±0.25 [0.010]  
0.xx±0.05 [0.002]